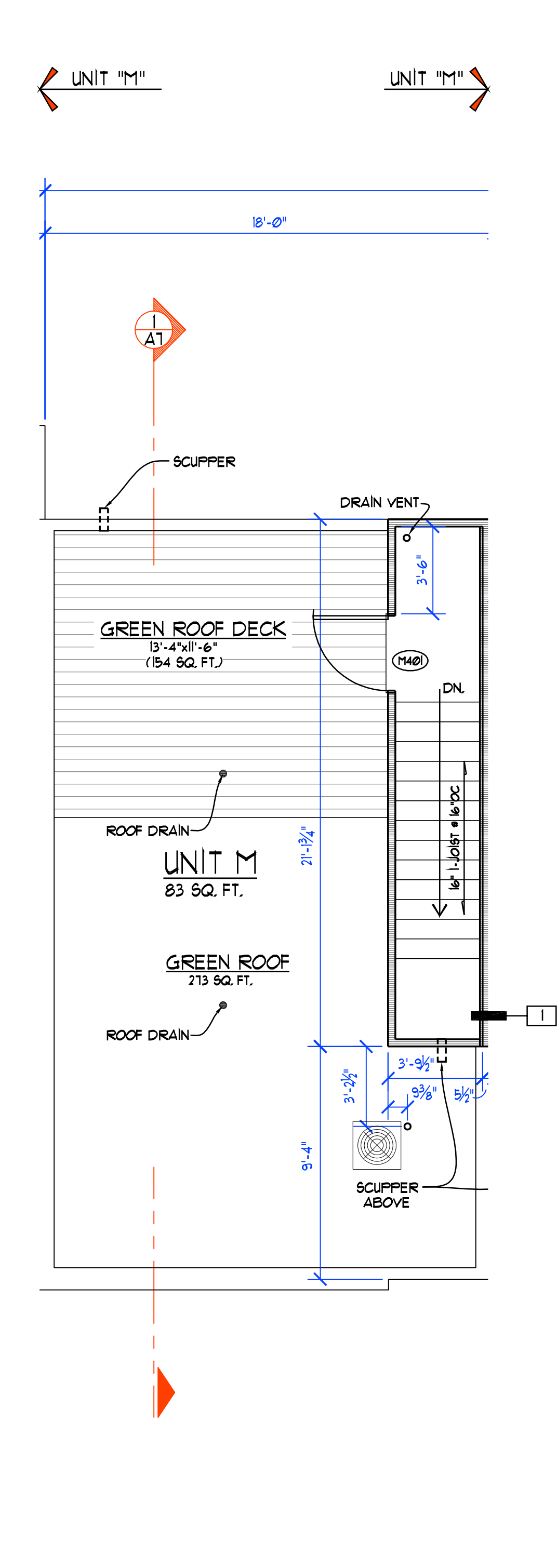
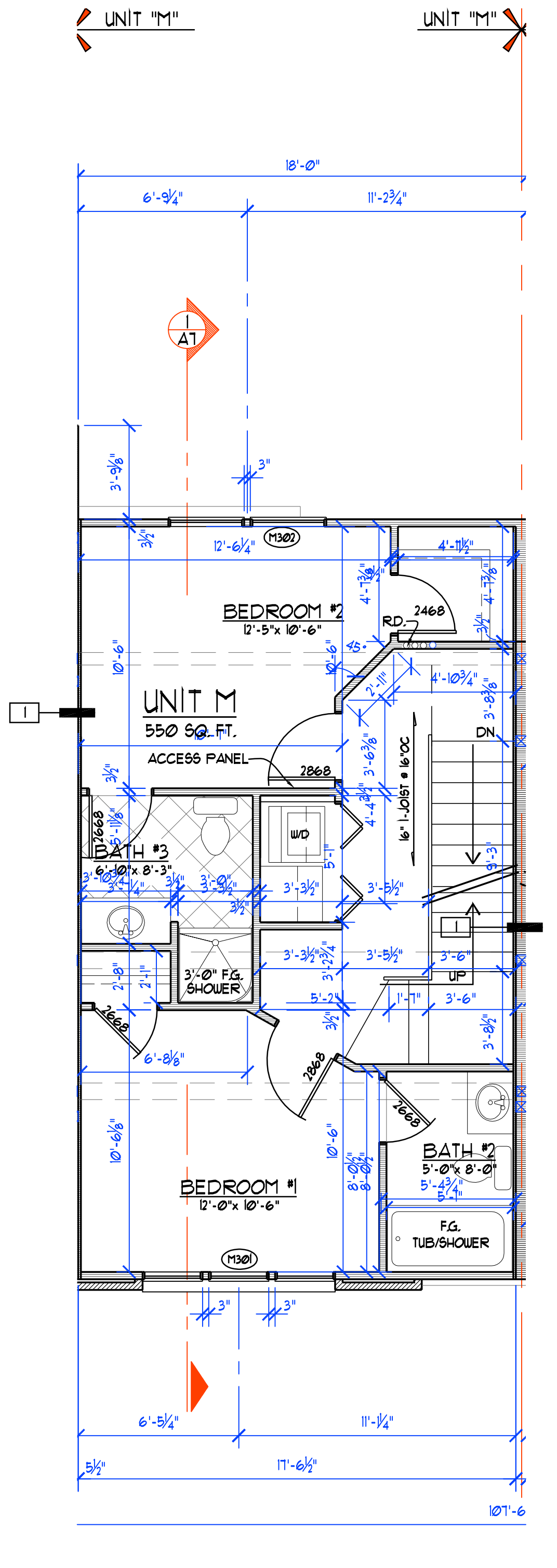
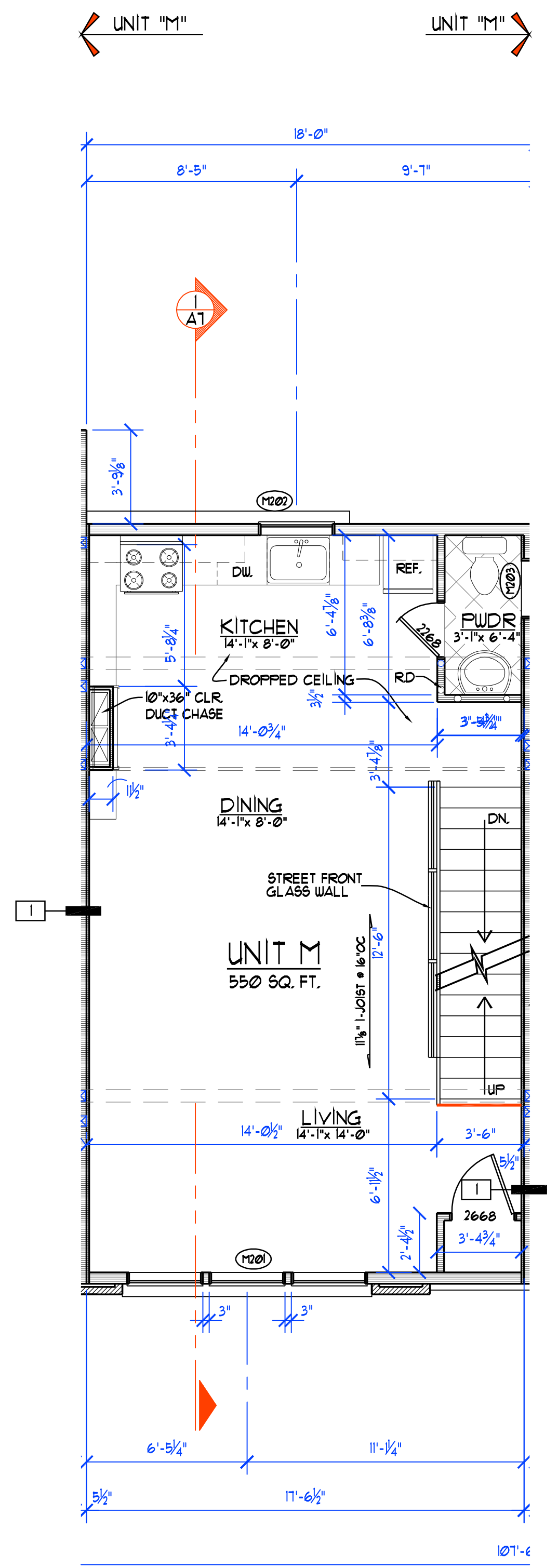
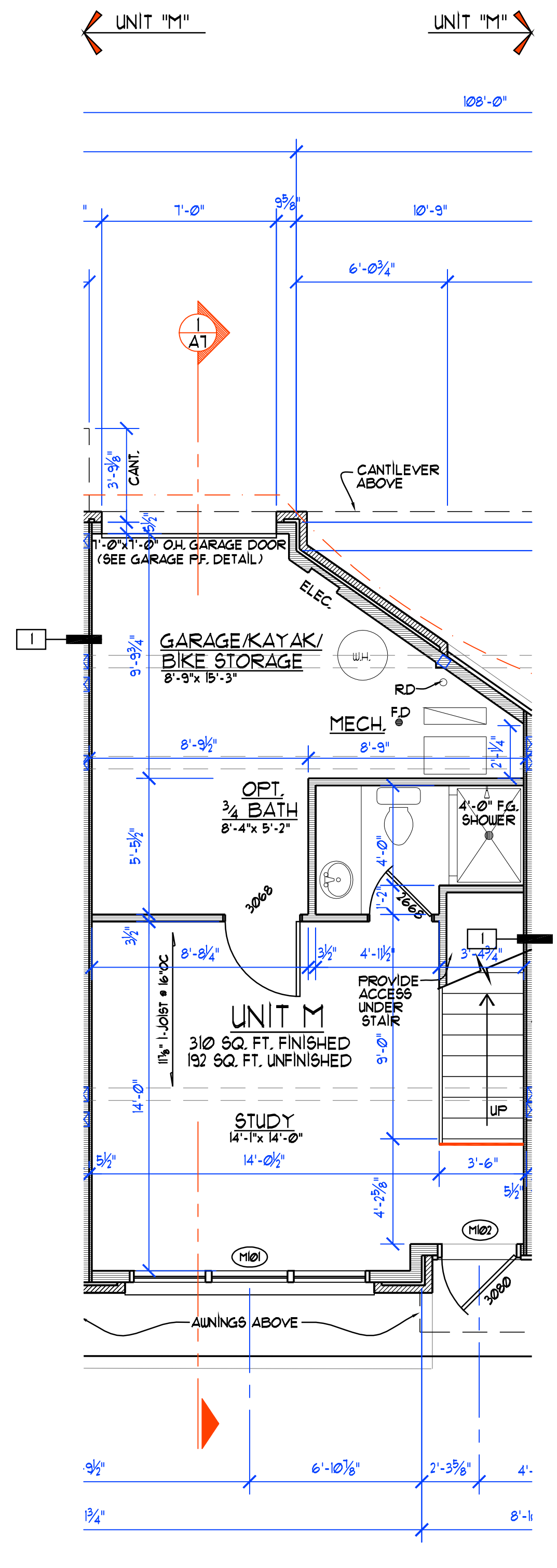
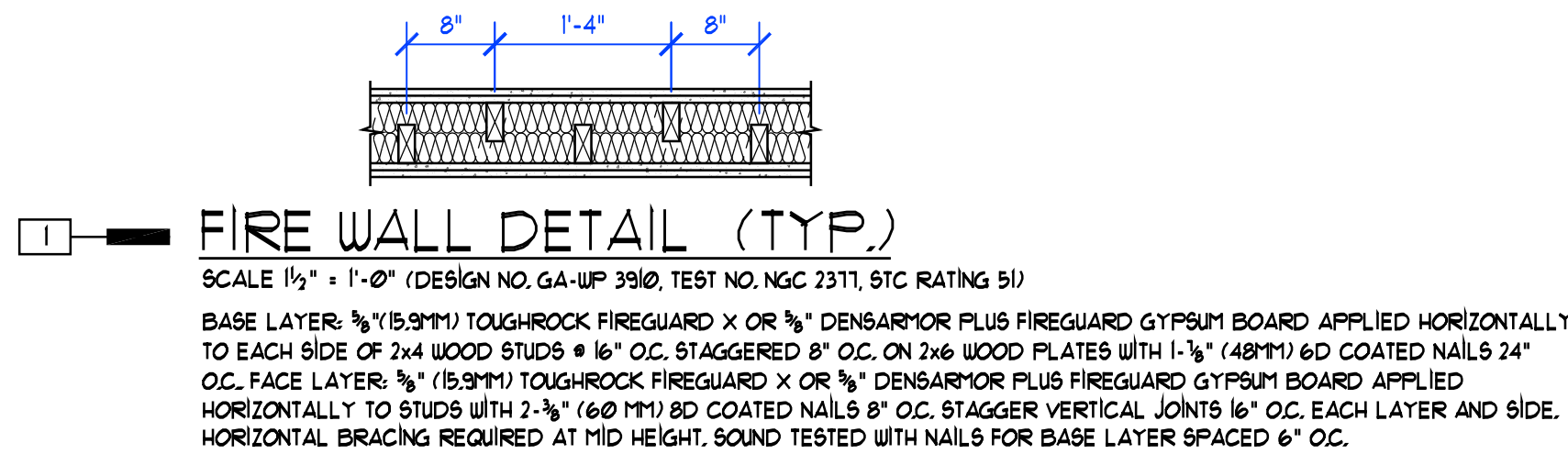


WINDOW SCHEDULE						
WINDOW #	* UNITS	WINDOW R.O.	HEADER HEIGHT	HEADER	* JACK STUDS	NOTES
UNIT "M" WINDOWS						
M101	1	9'-7 1/2" W x 8'-0" H	8'-0"	(3) P4 x 1 1/8" LVL	2	SEE PORTAL FRAME DETAIL, SHEET A8
M102	1	3'-4" W x 8'-0" H	8'-0"	(2) 2x10	1	
UNIT "M" WINDOWS						
M201	3	(3) # 3'-0 1/2" x 5'-10 1/2"	8'-0"	(3) P4 x 9 1/2" LVL	2	DRYWALL RETURNS TO WINDOWS
M202	1	3'-0 1/2" x 4'-5 3/8"	8'-0"	(2) 2x10	2	DRYWALL RETURNS TO WINDOWS
M203	1	2'-4 3/8" x 4'-5 3/8"	8'-0"	(2) 2x10	1	DRYWALL RETURNS TO WINDOWS
UNIT "M" WINDOWS						
M301	3	(1) # 2'-4 3/8" x 4'-5 3/8" (2) # 2'-4 3/8" x 1'-5 1/2"	7'-10 1/2"	(2) P4 x 9 1/2" LVL	2	DRYWALL RETURNS TO WINDOWS
M302	2	(2) # 3'-0 1/2" x 4'-5 3/8"	7'-10 1/2"	(2) 2x10	1	DRYWALL RETURNS TO WINDOWS
UNIT "M" WINDOWS						
M401	1	3'-2 1/2" x 6'-10 1/2"	7'-5 1/2"	(2) 2x10	2	



WHITEFORD ASSOCIATES INC.
 ARCHITECTURE CONSTRUCTION
 328 MUNSON AVENUE SUITE B TRAVERSE CITY, MI 49686
 PH: (231) 941-8800 FX: (231) 947-9999

UNIT M - FLOOR PLAN
 CITYSIDE - UPTOWN DEVELOPMENT
 191, 193, 195, 197, 199 W STATE ST. TRAVERSE CITY, MICHIGAN

PROJECT #
DATE
 10-01-2015

REVISIONS
 10-08-2015 - 12-08-2015
 12-16-2015 - 01-16-2016
 02-04-2016 - 04-05-2016
 04-07-2016 - 03-07-2017

SHEET NUMBER
M